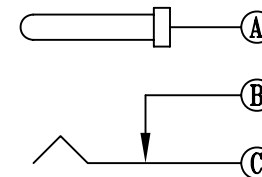
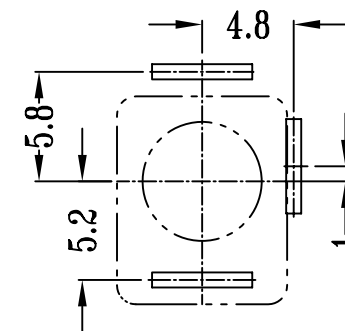
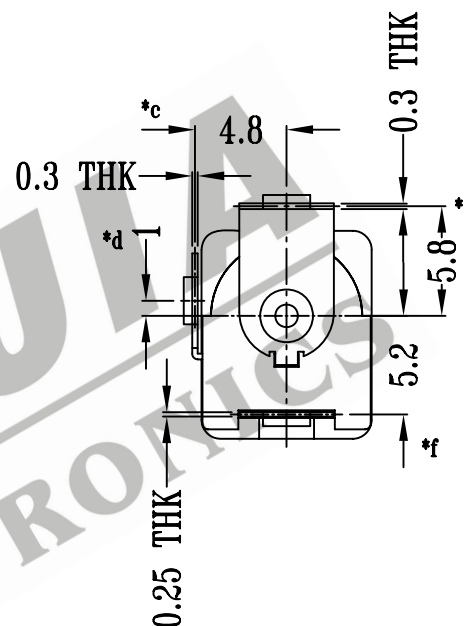
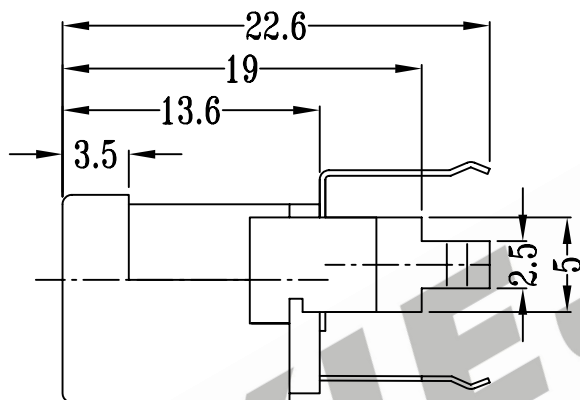
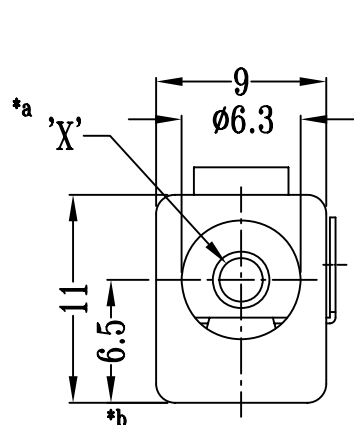


CAD FILE:



SCHEMATIC



P.C.B LAYOUT

注：“*”表示关键尺寸（6个）

DIA. OF PIN 'X' A=2.5mm
DIA. OF PIN 'X' B=2.0mm
DIA. OF PIN 'X' C=2.35mm

NO.	PARTS	MATERIALS	Q'TY	FINISH	TOLERANCE UNLESS SPECIFIED	SHENZHEN XIEJIA ELECTRONICS CO.,LTD.																										
8						<table border="1"> <tr> <td>ISSUE</td> <td>DATE</td> <td colspan="2">DESCRIPTIONS OF REVISION</td> <td>APPD.</td> </tr> </table>				ISSUE	DATE	DESCRIPTIONS OF REVISION		APPD.																		
ISSUE	DATE	DESCRIPTIONS OF REVISION		APPD.																												
7																																
6	SPRING TERMINAL	PBS STRIP	1	Ag PLATED OVER Ni PLATED	WITHIN: 1.5±0.1mm	<table border="1"> <tr> <td colspan="2">TITLE : DC POWER JACK</td> <td>UNIT : mm</td> <td colspan="2">DRWG NO.: XJ-DR-DS220-00</td> </tr> <tr> <td colspan="2">MODEL: DS-220</td> <td>SCALE: 5:2</td> <td>DWN.</td> <td>ZHOUYU</td> <td>2005-7-15</td> </tr> <tr> <td colspan="2"></td> <td></td> <td>CHK'D</td> <td>FANGYING</td> <td>2005-7-15</td> </tr> <tr> <td colspan="2"></td> <td></td> <td>APPD.</td> <td>KANGXINAN</td> <td>2005-7-15</td> </tr> </table>				TITLE : DC POWER JACK		UNIT : mm	DRWG NO.: XJ-DR-DS220-00		MODEL: DS-220		SCALE: 5:2	DWN.	ZHOUYU	2005-7-15				CHK'D	FANGYING	2005-7-15				APPD.	KANGXINAN	2005-7-15
TITLE : DC POWER JACK		UNIT : mm	DRWG NO.: XJ-DR-DS220-00																													
MODEL: DS-220		SCALE: 5:2	DWN.	ZHOUYU	2005-7-15																											
			CHK'D	FANGYING	2005-7-15																											
			APPD.	KANGXINAN	2005-7-15																											
5	BASE	PHENOLIC RESIN	1	NATURAL	OVER : 1.5±0.2mm																											
4	TERMINAL	BRASS STRIP	1	Ag PLATED OVER Ni PLATED																												
3	CONTACT	BRASS STRIP	1	Ag PLATED OVER Ni PLATED																												
2	CASE	PC	1	BLACK																												
1	PLUG PIN	BRASS	1	Ni PLATED																												
					ALL MATERIALS MUST BE COMPLIANT TO ROHS																											